

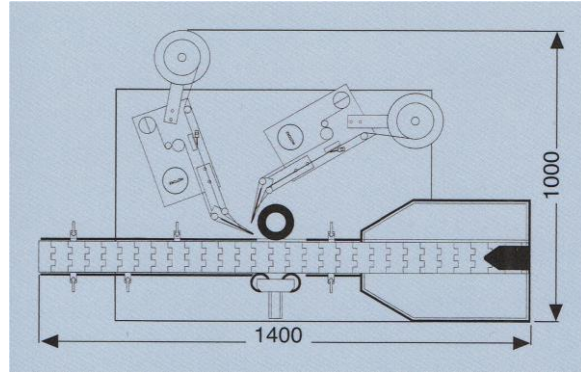
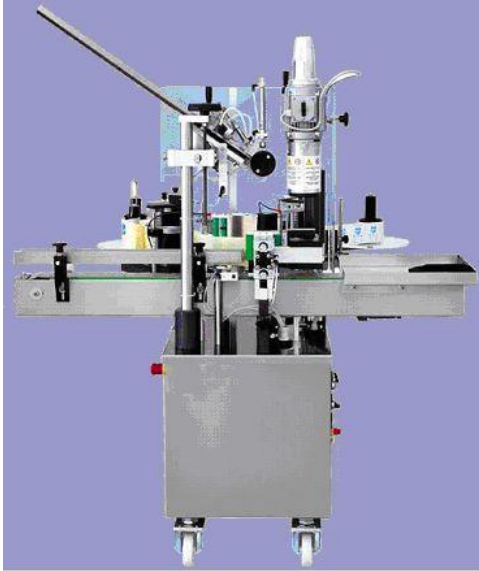
LIQUID SOLUTIONS

EXPERTS IN LIQUIDS PROCESSING FILTRATION AND BOTTLING

LA -08 AUTOMATIC LABELLER 1000bph

28/05/2014

- **LINEAR LABELLING MACHINE FOR SELF-ADHESIVE LABELS – Model LSS1/ZE**



Picture of similar machine – designs may vary

Capacity: 1000 bottle per hour MAXIMUM (Fixed speed)

- Complete safety covers with plexiglass panel
- Infeed screw
- In-line machine with 1 labelling station
- Capable of front+back label (printed alternately from the same roll)
- Labelling units motion by stepping motors
- Labelling units supplied with a loading plate for a roll Ø.280mm max.
- Labelling units adjustable in height, for easy adjustment for different labels and bottles
- Start signal for label release by precision sensor
- Speed of labelling units synchronized with the speed of the machine
- Machine base-frame completely covered with stainless steel plate
- Aluminium parts covered with anti-rust painting
- Max. front label height : 150 mm.
- Conveyor chain section: W.100xH.120mm – for s/s chain 82.5mm
- Standard height of conveyor from floor: 1.000 mm (adjustable +/-50mm)
- Standard Voltage: 380/50HZ/24Volts

PRICE EX-WORKS FOR BASE MACHINE

£ 6,575

+44 (0)7976 764023 info@liquidsolutions.co.uk
www.liquidsolutions.co.uk

LIQUID SOLUTIONS

EXPERTS IN LIQUIDS PROCESSING FILTRATION AND BOTTLING

OPTIONS :

2 nd STATION FOR BACK LABEL	£1,950
3 rd STATION FOR NECK LABEL	£2,900
DRIVING HEAD+TRANSMISSION HEAD + CONVEYER CHAIN	£ 675
RECTANGULAR COLLECTION TABLE	£250
ROTARY FEED / COLLECTION TABLE 800MM DIAMETER	£1,950
HOT FOIL PRINTER FOR DATE / LOT NUMBER	£2,750
SIMPLE INK PRINTER FOR DATE/LOT NUMBER	£1,100
PHOTOCELL FOR TRANSPARENT LABEL	£ 490
PHOTOCELL SYSTEM FOR 'LINE FULL' AUTO PAUSE/RESUME	£650
CAPSULE DISTRIBUTOR + THERMAL SHRINK HEAD	£2,985

CONDITIONS OF SUPPLY

Transport: EX WORKS ITALY

Packing: not included – to be calculated upon request

Delivery terms:

60-75 days (Except August) from the receipt of: written order, the downpayment and samples of bottles and labels

Payment terms:

35% downpayment with the order , 60% at shipping advice, 5% at 30 days from delivery

Warranty:

12 months from the date of working test and includes the cost-free substitution of the defecting parts except of those from inexperience and negligence of the user. The intervention of our technical staff is not included . Parts subjects to wear and electrics are not included.

Quotation validity: 60 days

Exclusions:

- electric power supply
- compressed air supply
- foundations and anchoring bolts
- civil works if required
- connections to other machines
- VAT, customs expenses / taxes